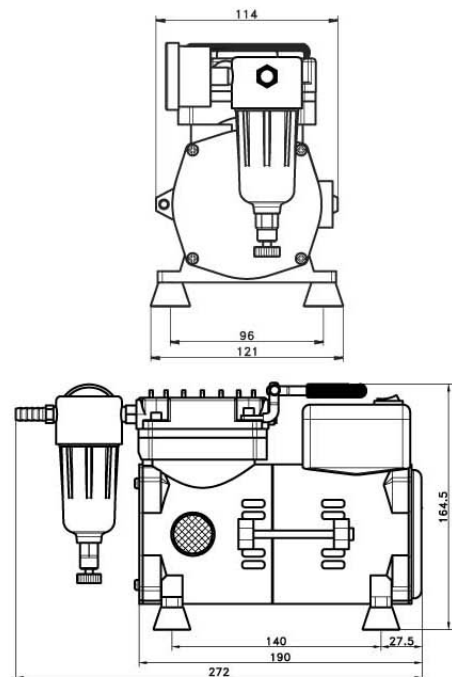


Rocker 300 Oil-free Vacuum Pump



Dimension Diagram

Unit: mm
Model: Rocker 300



Specification

Model	Rocker 300		
Power	110-120V/60Hz	220-240V/50Hz	
Max. power consumption (W)	65	60	
Max. current (A)	0.7	0.3	
Max. vacuum	-650mmHg=85.5kPa=110 torr		
Vacuum	0mmHg	20 l/min=0.71CFM	17 l/min=0.6CFM
	100mmHg	17 l/min=0.6CFM	14 l/min=0.49CFM
	200mmHg	15 l/min=0.53CFM	12 l/min=0.42CFM
	300mmHg	12 l/min=0.42CFM	9.5 l/min=0.34CFM
	400mmHg	9.5 l/min=0.34CFM	7 l/min=0.25CFM
	500mmHg	6.5 l/min=0.23CFM	4.5 l/min=0.16CFM
	600mmHg	2 l/min=0.07CFM	1.5 l/min=0.05CFM
Motor rotation	1700RPM	1450RPM	
Capacitor	6uf/250v	2uf/450v	
Horse power	1/8HP		
Pole	4P		
Net wet	4.1kg		
Gorss weight	5.1kg		
Port thread	5/16"		
Noise Level	50dB		
Cat. No.	167300-11	167300-22	

• PS: 100mm Hg=13.33kpa, 1l/min=0.035CFM